

ALUMINIUM FRAMES

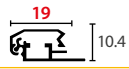

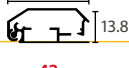

3

Lima

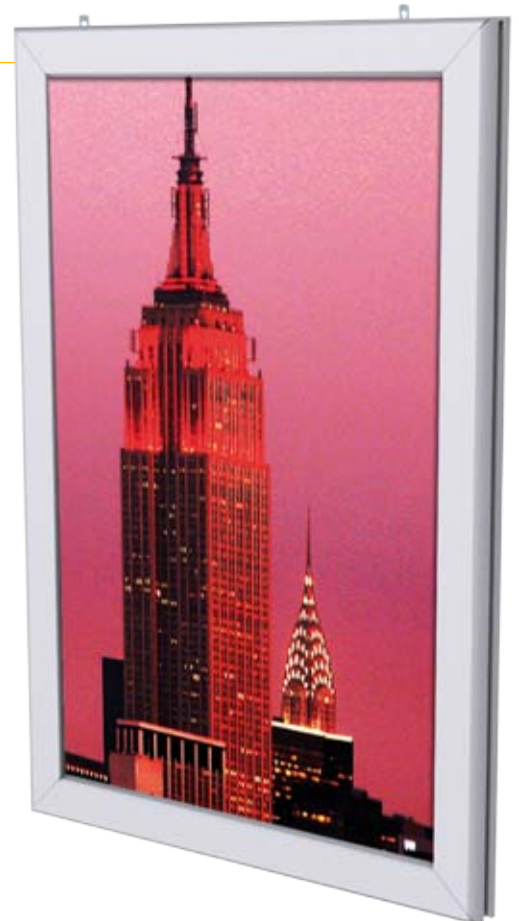


Frames for wall mount or hang from ceiling. Easy exchange of graphic thanks to its snap-clips on all four sides. Antireflection film. Strong and durable. Includes hanging accessories. Interior or exterior use.

Material: Anodised aluminium.

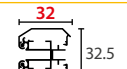

A4	A3	A2	A1	A0	500x700	700x1000	1000x1400	Size(mm)
10.210	10.209	10.208			10.211			 19 10.4
10.260	10.259	10.258			10.261			 25 11.5
	10.262	10.263	10.264		10.266	10.267		 32 13.8
				10.270		10.272	10.268	 42 13.8

Lima Double Sided



Frames made to be hang from the ceiling, double sided, easy exchange of graphic thanks to its snap-clips on all four sides. Antireflection film. Strong and durable. Interior or exterior use.

Material: Anodised aluminium.

A3	A2	A1	A0	500x700	700x1000	Size(mm)
10.563	10.564	10.565		10.289		 32 32.5
			10.257		10.560	 42 32.5

Lima Lockable



42mm

Frames for wall mount or hang from ceiling. Easy exchange of graphic thanks to its snap-clips on all four sides. Antireflection film. Strong and durable. Interior or exterior use. One of the frames is close tight with a special screw.

Material: Anodised aluminium.

A1	A0	500x700	700x1000	1000x1400	Size(mm)
10.280	10.281	10.282	10.283	10.278	



Lima Waterproof



42mm

Frames for wall mount or hang from ceiling. Easy exchange of graphic thanks to its snap-clips on all four sides. Antireflection film. Strong and durable. Interior or exterior use. Design to prevent water from going inside the frame.

Material: Anodised aluminium.

A1	A0	500x700	700x1000	1000x1400	Size(mm)
10.285	10.286	10.287	10.288	10.561	

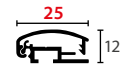
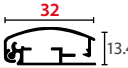
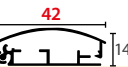


Anadia

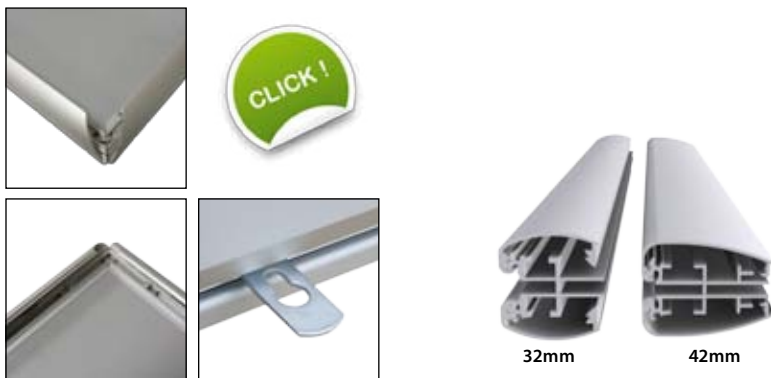


Frames for wall mount or hang from ceiling. Easy exchange of graphic thanks to its snap-clips on all four sides. Antireflection film. Strong and durable. Includes hanging accessories. Interior or exterior use.

Material: Anodised aluminium.

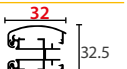
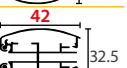
A4	A3	A2	A1	A0	500x700	700x1000	1000x1400	Size(mm)
10.214	10.213	10.212			10.215			 25 12
	10.290	10.291	10.292		10.293	10.294		 32 13.4
				10.296		10.295	10.297	 42 14.5

Anadia Double Sided



Frames made to be hang from the ceiling, double sided, easy exchange of graphic thanks to its snap-clips on all four sides. Antireflection film. Strong and durable. Interior or exterior use.

Material: Anodised aluminium.

A3	A2	A1	A0	500x700	700x1000	Size(mm)
10.299	10.300	10.302		10.303		 32 32.5
			10.562		10.566	 42 32.5

Serena



32mm



Frames for wall mount or hang from ceiling. Easy exchange of graphic thanks to its snap-clips on all four sides. Antireflection film. Strong and durable. Includes hanging accessories. Interior or exterior use.

Material: Anodised aluminium, plastic parts.

A4	A3	A2	500x700	700x1000	Size(mm)
10.405	10.404	10.403	10.408	10.163	



Trujillo



32mm



Frames for wall mount or hang from ceiling. Easy exchange of graphic thanks to its snap-clips on all four sides. Antireflection film. Strong and durable. Interior or exterior use.

Material: Anodised aluminium, plastic parts.

A3	A2	A1	A0	500x700	700x1000	Size(mm)
10.131	10.132	10.133	10.134	10.135	10.136	
10.139	10.140	10.141	10.142	10.143	10.144	



ALUMINIUM FRAMES

3

Lublin



Anodised aluminium frame for wall mount. Easy exchange of graphic thanks to open by short side. Antireflection film. Strong and durable.

Material: Anodised aluminium.

A4	A3	A2	A1	Size(mm)
10.594	10.593	10.592	10.591	
10.590	10.589	10.588	10.587	



Gavarnie



Exhibition frame for graphics. Frame made of aluminium and plastic clips to hold the graphic in place. Includes two hanging pieces.

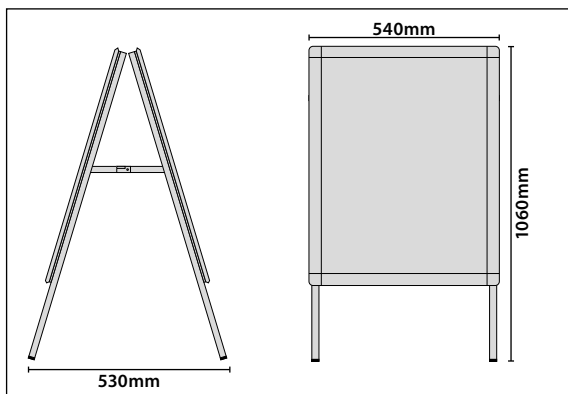
Material: Aluminium, plastic parts.

A4	A3	A2	A1	A0
10.508	10.507	10.506	10.505	10.509

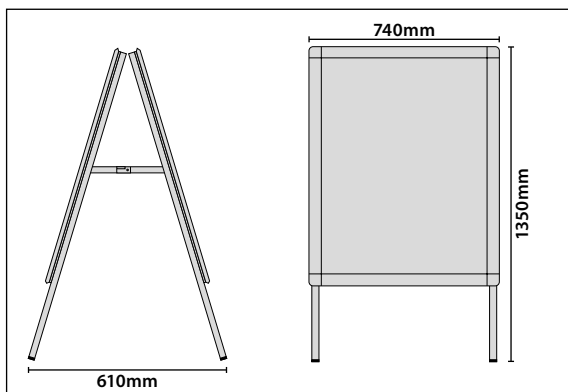
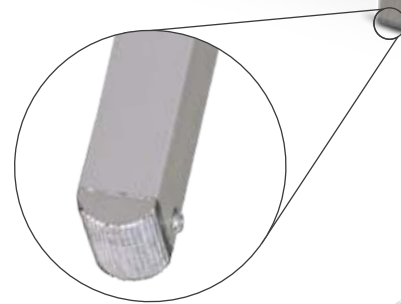
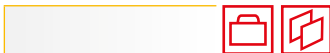
Bayonne

"A" snapframe. Double sided, frame announcement board with durable aluminium clip frame. Folding for posters presentation. Poster or sheets are protected by a thin laminated plastic for a quality look.

Material: Aluminium, plastic parts.



10.804 **500x700mm**



10.805 **700x1000mm**



Antireflection Sheet

Antireflection sheet for snapframe.

10.952 **500x700mm**

10.953 **700x1000mm**



ALUMINIUM FRAMES

3

Niza



ECONOMIC!



One sided poster frame aluminium stand. Poster or sheets are protected by a thin anti-reflex cover. Indoor / Outdoor use.

Material: Aluminium, plastic parts.

10.808

500x700mm



Merida



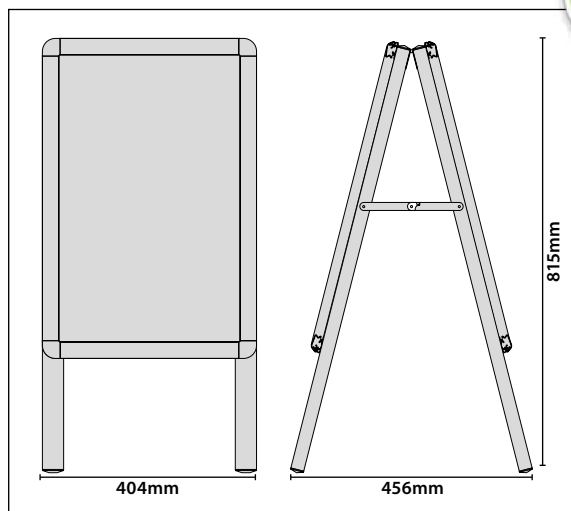
Double sided, frame announcement board with durable aluminium clip frames and plastic rounded on corners. Folding for posters presentation. Poster or sheets are protected by a thin laminated plastic for a quality look. Different colours are available.

Material: Aluminium, plastic parts.

A1	500x700	700x1000
10.337	10.338	10.339
10.119	10.122	10.124
10.120	10.123	10.125



Grenoble



Double sided, frame announcement board with durable aluminium clip frames and plastic rounded on corners. Folding for posters presentation. Poster or sheets are protected by a thin laminated plastic for a quality look.

Material: Aluminium, plastic parts.

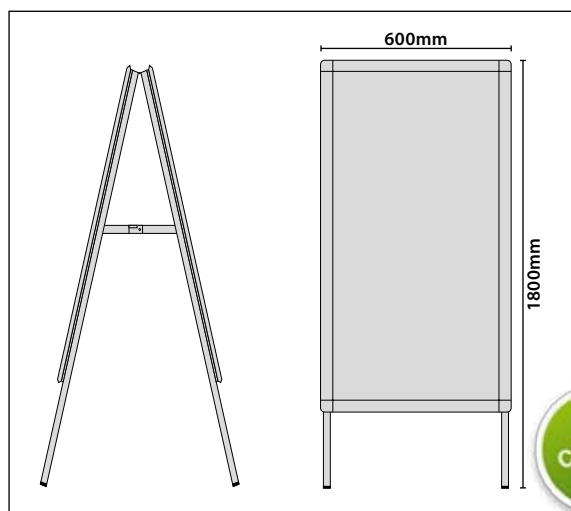


32mm

	QTY	N.W(kg)	G.W(kg)	C.B.M.	Size(mm)
Packing	1	4.3	5	0.0374	880x425x100
10.942		360x560mm			



Poznan



32mm



Double sided, frame announcement board with durable aluminium clip frames and plastic rounded on corners. Folding for posters presentation. Poster or sheets are protected by a thin laminated plastic for a quality look.

Material: Aluminium, plastic parts.

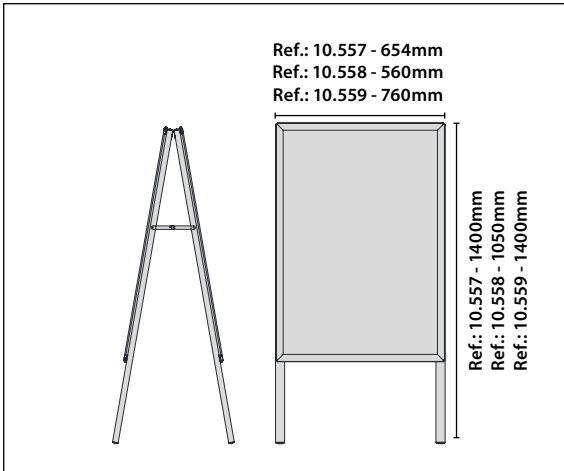
	QTY	N.W(kg)	G.W(kg)	C.B.M.	Size(mm)
Packing	1	12.6	15	0.177	705x135x1860
10.343		600x1500mm			



ALUMINIUM FRAMES

3

Dijon



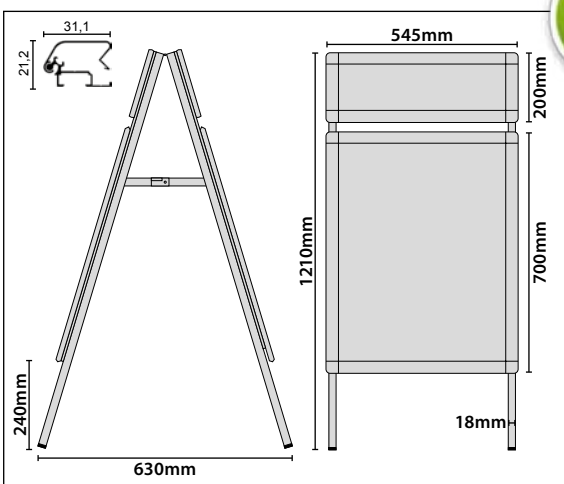
Double sided, frame announcement board with durable aluminium clip frames. Folding for posters presentation. Poster or sheets are protected by a thin laminated plastic for a quality look.

Material: Aluminium, plastic parts.

10.557	A1		
10.558	500x700mm		
10.559	700x1000mm		



Toulouse



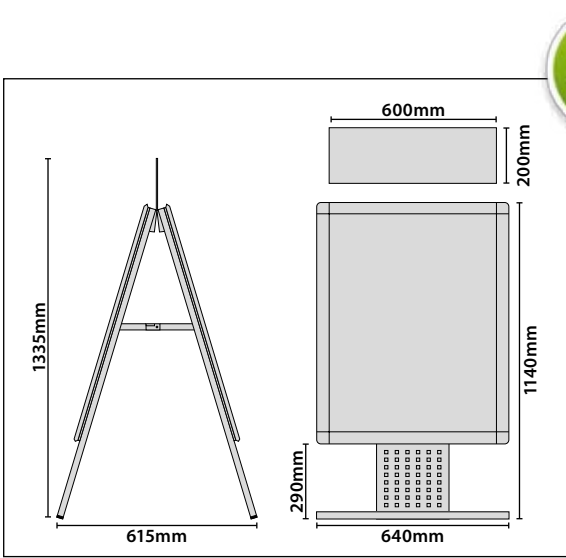
Double sided, frame announcement board with durable aluminium clip frame. Includes two frames of 500x700mm and two headframes of 500x200mm. Poster or sheets are protected by a thin anti-reflex cover.

Material: Aluminium, plastic parts.

10.806	500x700mm 500x200mm		
--------	------------------------	--	--



Belmez



Double sided, frame announcement board with durable aluminium clip frame steel feet. Poster or sheets are protected by a thin anti-reflex cover for a quality look. Headboard included. Headboard size: 600x200mm.

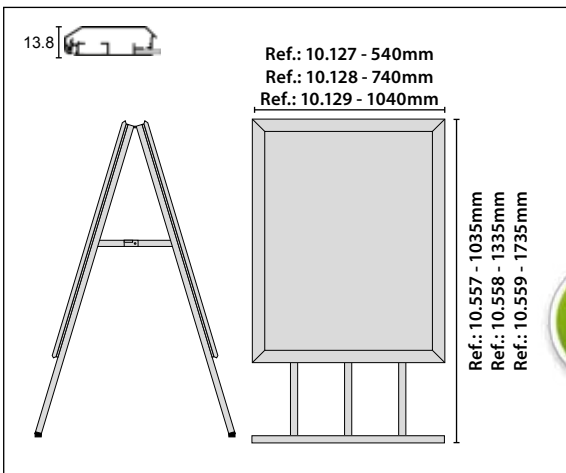
Material: Aluminium, steel, plastic parts.

10.235

A1



Montánchez



"A" Snapframe stand. Double sided poster stand for indoor or outdoor use. Aluminium click frame.

Material: Aluminium, steel, plastic parts.

10.127

500x700mm



10.128

700x1000mm



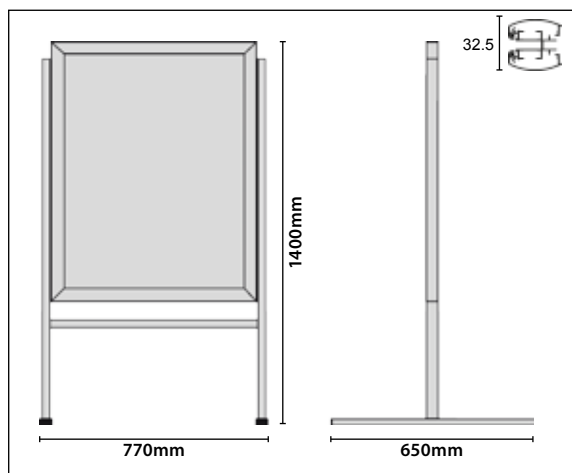
10.129

1000x1400mm



42mm

Ibahernando



Revolving snapframe stand. Double sided poster stand for outdoor use, aluminium click frame, which swings back and forth in the wind.

Material: Aluminium, plastic parts.

	QTY	N.W(kg)	G.W(kg)	C.B.M.	Size(mm)
Packing	1	9.6	11.8	0.141	875x105x1535

10.165 **700x1000mm**



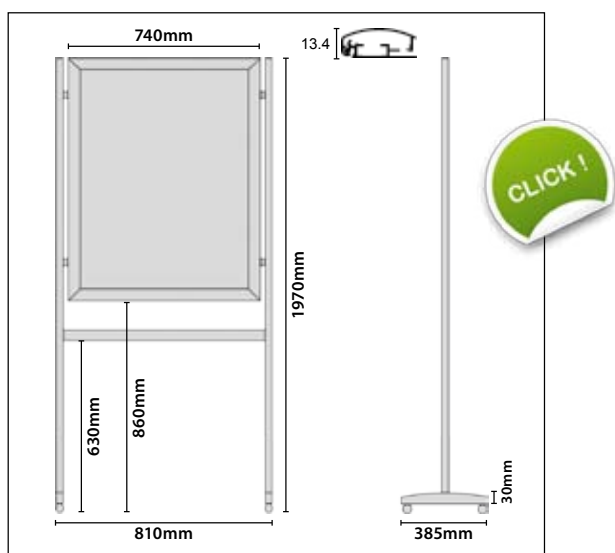
32mm



Tilting



Almendralejo

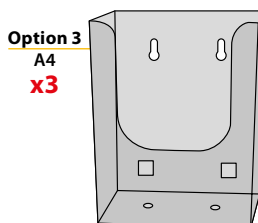
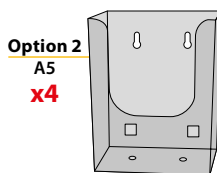


Poster stand with leaflet dispensers. For indoor use. One sided silver anodised aluminium click frame with rounded corners. Available with: 6 leaflet A6 or 4 leaflet A5 or 3 leaflet A4.

Material: Aluminium, plastic parts.

	QTY	N.W(kg)	G.W(kg)	C.B.M.	Size(mm)
Packing	1	7.5	12.1	0.125	860x75x1950

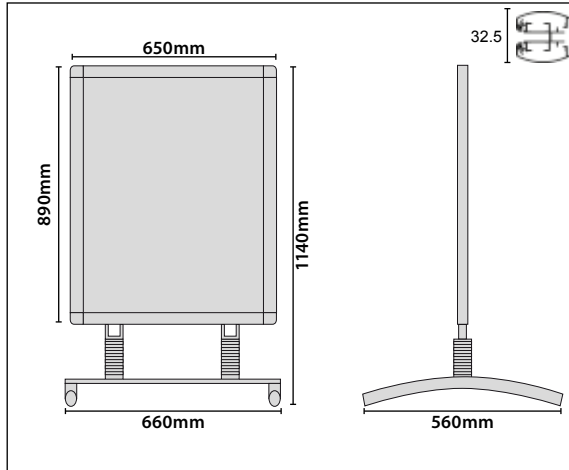
10.160 **700x1000mm**



32mm



Boal

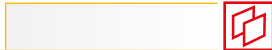


Double sided aluminium snapframe for indoor or outdoor use. Highly effective advertising combined with stability via spring attachment of board to base.

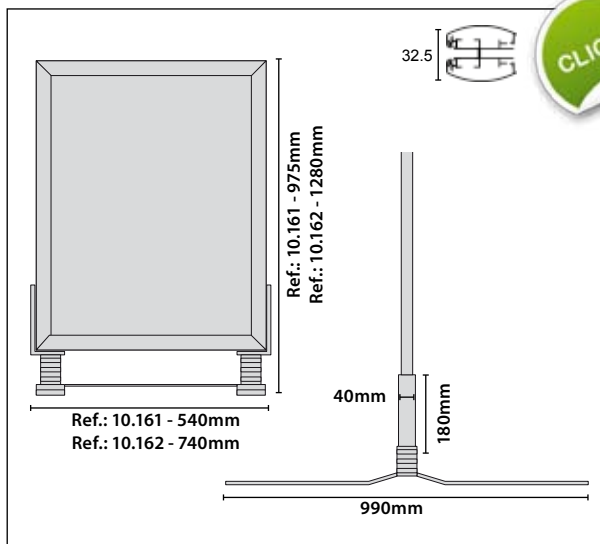
Material: Aluminium, steel, plastic parts.

10.166

605x860mm



Hervas

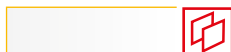


Poster stand. Highly effective advertising combined with stability via spring attachment of board to base. Sturdy steel and aluminium construction ensures durability of this two sided stand.

Material: Aluminium, steel, plastic parts.

10.161

500x700mm

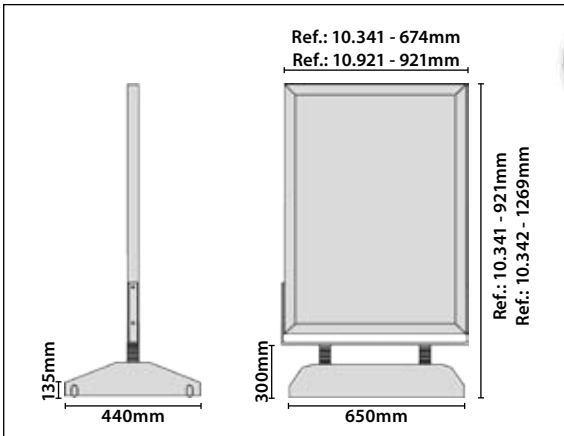


10.162

700x1000mm



Arcachón



42mm

17 kgs Water

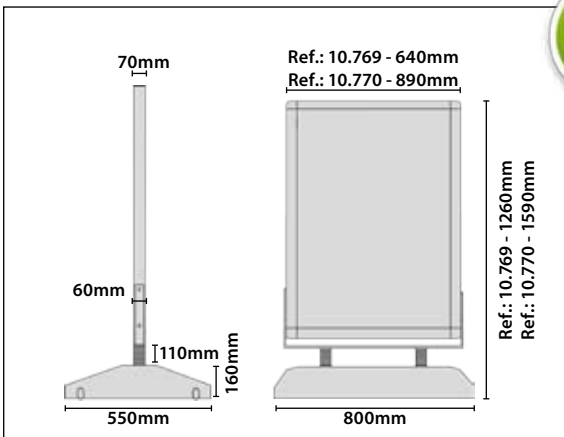


Double sided aluminium snapframe for indoor or outdoor use. Highly effective advertising combined with stability via spring attachment of water filled tank.

Material: Aluminium, steel, plastic parts.

10.341	A1		
10.342	A0		
10.115	500x700mm		
10.116	700x1000mm		

Serradilla



17-35 kgs Water

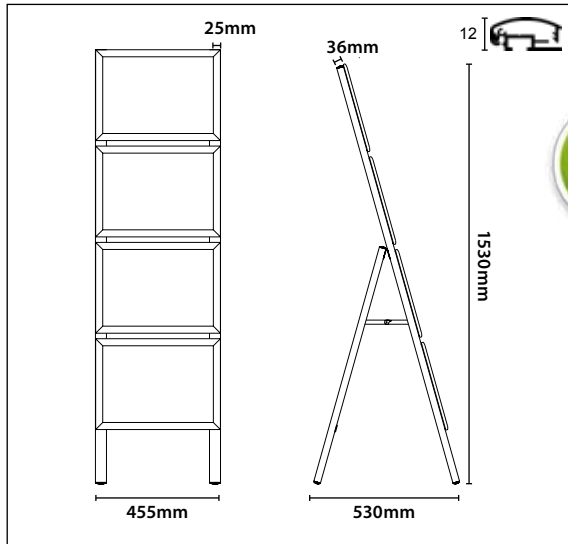


Wind Resistant. A0, A1 portrait snapframe. Weather resistant, spring loaded outdoor display. Base fills with water for stability and has integrated rollers for easy transportation. Rounded chrome finish corners. Brushed aluminium snapframe.

Material: Aluminium, steel, plastic parts.

10.769	A1	35 Kgs water	
10.770	A0	35 Kgs water	
10.164	A1	17 Kgs water	

Mota



Poster aluminium stand one sided high quality silver anodised aluminium stand with 4 frames.

Material: Anodised aluminium.

10.216

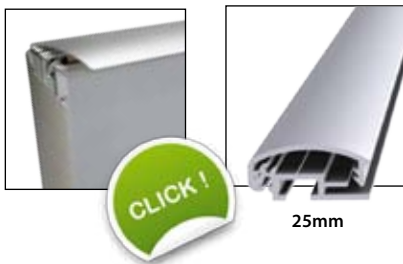
A3



25mm



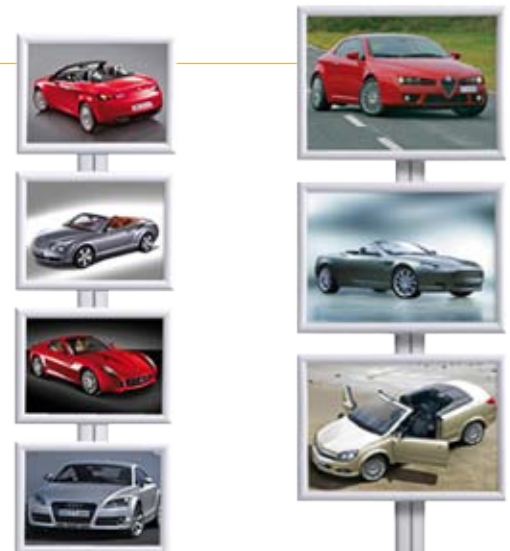
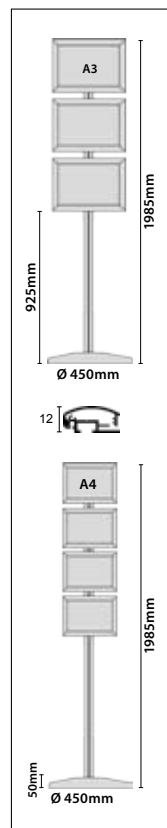
Guadalupe



Poster "click" aluminium stand. One or two sided with 3 (A3) or 4 (A4) frames, aluminium click frame with silver anodised profile and UV - stabilised anti-reflective sheet.

Material: Aluminium, steel, plastic parts.

	QTY	N.W(kg)	G.W(kg)	C.B.M.	Size(mm)	
Packing	1	2.8	3.6	0.012	80x80x1920	
		9.55	10	0.015	465x465x72	
10.154		A4				
10.155		A3				
Packing	1	2.8	3.6	0.012	80x80x1920	
		9.55	10	0.015	465x465x72	
10.156		A4				
10.157		A3				



10 kgs

10.154

10.155

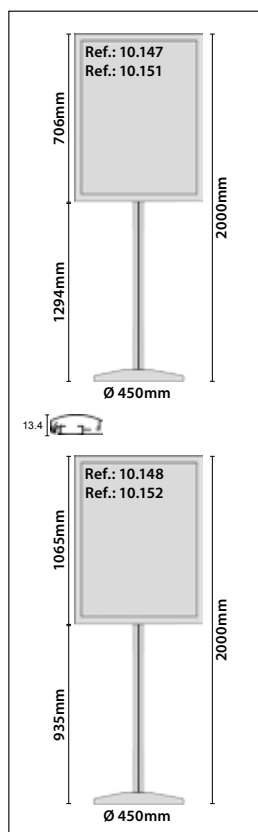
Plasencia



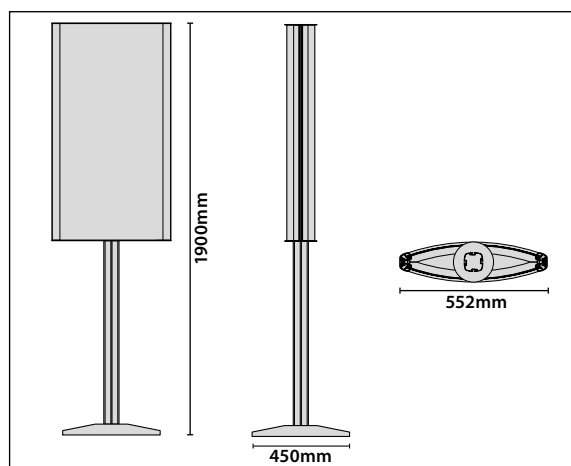
Poster "click" aluminium stand. One or two sided, aluminium click frame with silver anodised profile and UV - stabilised antireflective sheet.

Material: Aluminium, steel, plastic parts.

	QTY	N.W(kg)	G.W(kg)	C.B.M.	Size(mm)	
Packing	1	2.8	3.6	0.012	80x80x1920	x2
		9.55	10	0.015	465x465x72	
10.147		500x700				
10.148		700x1000				
Packing	1	2.8	3.6	0.012	80x80x1920	x2
		9.55	10	0.015	465x465x72	
10.151		500x700				
10.152		700x1000				



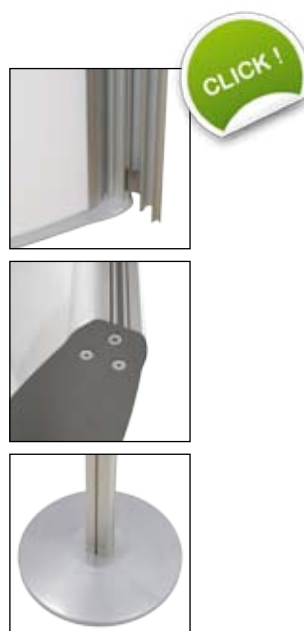
Leinster



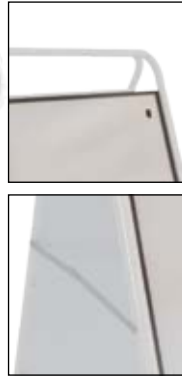
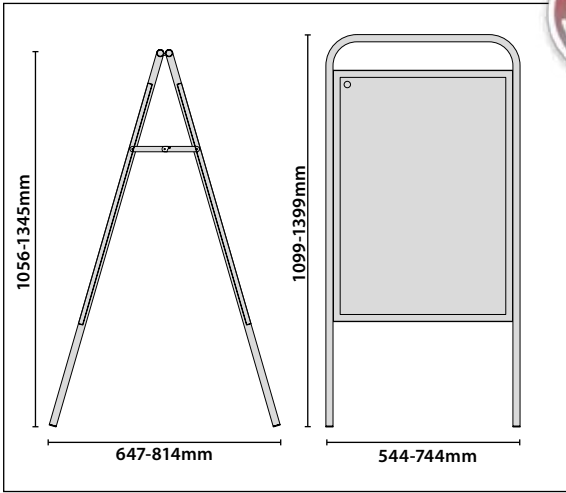
Double face display for indoor use. By the aid of snaps & hinged cover, one can easily change the poster on both sides. Brochure shelves can be added. Convex elegant look at eye-level to present your message.

Material: Aluminium, steel, plastic parts.

10.980		500x700mm				
10.979		500x1000mm				
10.940		500x700mm				NEW
10.941		500x1000mm				NEW



Kerry



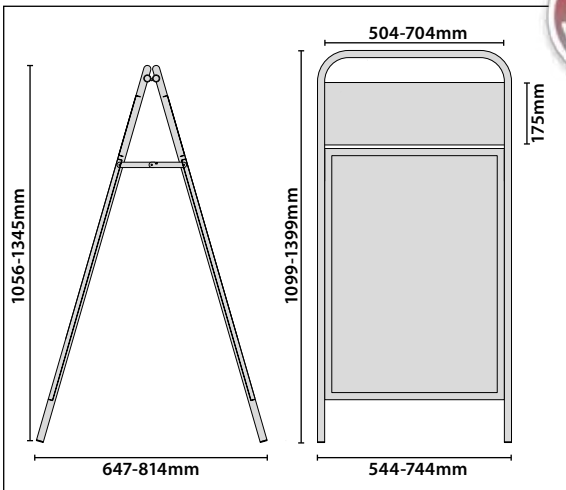
Stable & heavy pavement sign, used double sided. There is a magnetic cover placed over the poster. Suitable for crowded, outdoor public areas. Round steel tubing.

Material: Steel, plastic. **Colour:**

10.691 **500x700mm**

10.692 **700x1000mm**

Cork



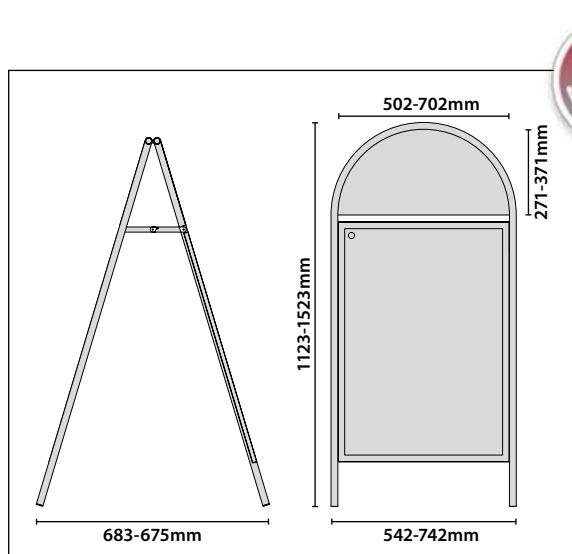
Stable & heavy pavement sign, used double sided. There is a magnetic cover placed over the poster. Suitable for crowded, outdoor public areas. Round steel tubing.

Material: Steel, plastic. **Colour:**

10.695 **500x700mm - 175x504mm**

10.696 **700x1000mm - 175x704mm**

Monaghan



Stable & heavy pavement sign, used double sided. There is a magnetic cover placed over the poster. Suitable for crowded, outdoor public areas. Round steel tubing.

Material: Steel, plastic.

Colour:

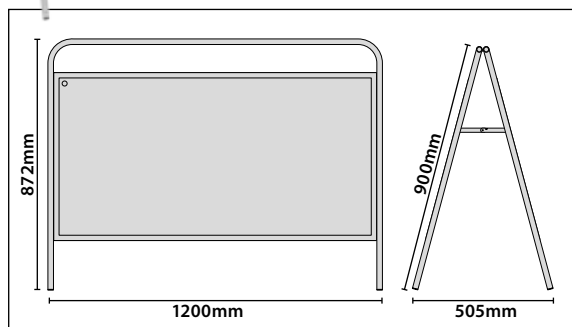
10.699 500x700mm - 256x514mm



10.700 700x1000mm - 357x714mm



Lifford



Stable & heavy pavement sign, used double sided. There is a magnetic cover placed over the poster. Suitable for crowded, outdoor public areas. Round steel tubing.

Material: Steel, plastic.

Colour:

10.701 1156x600mm



Outdoor Poster Stand

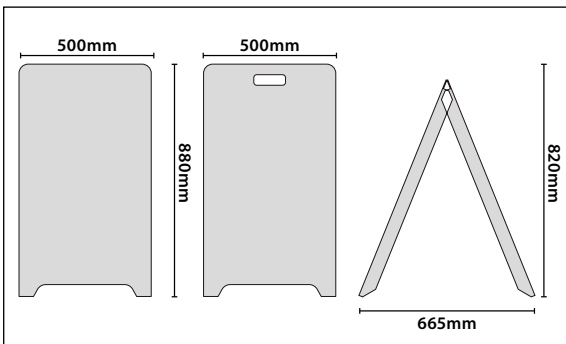


Outdoor poster stand. Double sided stand steel profile. Available in six different colours.

Material: Steel.

10.167	600x1000mm		
10.168	Whiteboard - 590x995mm		

Dover



Simple plastic pavement board for all kind of purpose. Approximate visual area is 500x700mm. PS display is suitable for inkjet printing and adhesive folio. Easy to move and store. Can be delivered with black chalkboard for writing with chalkpen.

Material: PVC.

	QTY	N.W(kg)	G.W(kg)	C.B.M.	Size(mm)
Packing	1	1.5	2.1	0.025	885x520x55

13.129	480x815mm	
13.130	480x815mm	
13.131	Blackboard - 480x815mm	

